

ICP[®] LASER TACHOMETER

LaserTach™

LaserTach



The LaserTach ICP tachometer from The Modal Shop senses the speed of rotating equipment and outputs an analog voltage signal for referencing vibration signals to shaft speed. The sensor allows for measurements in excess of 30,000 RPM from distances as far as 6 feet (2 meters). A status LED provides positive, visual indication of proper signal pickup. The standard BNC jack connects the sensor to any constant current, IEPE conditioned data acquisition systems and signal conditioners. Unlike magnetic tachometer

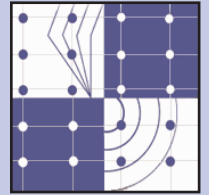
pickups, the LaserTach does not require the rotating equipment to be a ferrous material - only a retroreflective target needs to be attached to the shaft.

Since the unit is powered from standard ICP sensor signal conditioning, only a single coaxial or twisted pair cable connection is required - exactly how your ICP accelerometers are conditioned. No additional or specialized external power source is needed, facilitating deployment of multiple speed sensors using the same cabling setup as with other ICP sensor arrays for acquiring dynamic vibration, pressure, strain or force data. The LaserTach operates using the standard constant current supplied by many data acquisition systems and all ICP sensor signal conditioners.

BENEFITS:

- Simplifies the acquisition of rotating equipment speed signals by operating through standard ICP sensor signal conditioning
- Offers flexibility in positioning and mounting due to the use of long range (6 ft.) optics and standard 5/8" UNF threaded bolt package
- Eliminates need to oversample all channels due to high frequency tach signal by always outputting 1 pulse per revolution.
- Simplifies cable management for dynamic testing of rotating equipment

"YOUR ONE STOP SOUND AND VIBRATION SHOP"



T H E
M O D A L
S H O P
I N C .

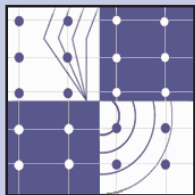
A PCB GROUP CO.

Helping you test,
model, and modify
the behavior of
structures and processes.

3149 E. Kemper Road
Cincinnati, Ohio
45241-1516
U . S . A .

Ph. 513-351-9919
FAX 513-458-2172
1-800-860-4867
www.modalshop.com
www.processvibration.com

LaserTach



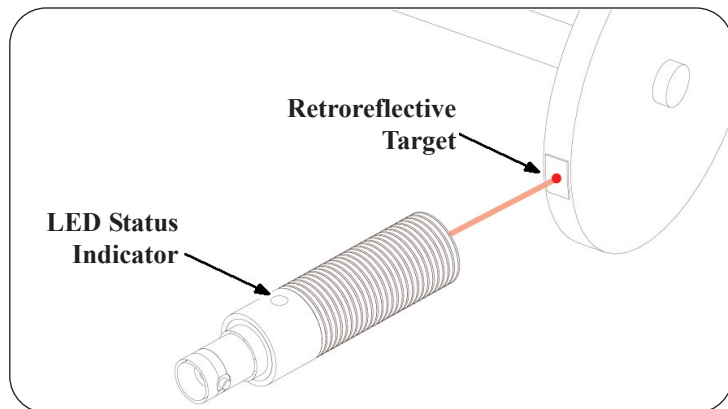
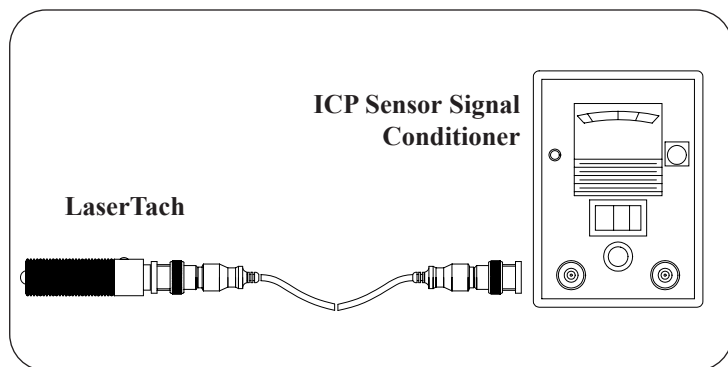
T H E
M O D A L
S H O P
I N C .

A PCB GROUP CO.

Helping you test,
model, and modify
the behavior of
structures and processes.

3149 E. Kemper Road
Cincinnati, Ohio
45241-1516
U.S.A.

Ph. 513-351-9919
FAX 513-458-2172
1-800-860-4867
www.modalshop.com
www.processvibration.com



Using The SDC005-TACH2 LaserTach

ICP® Sensors are a popular family of dynamic transducers used for measuring acceleration, force, pressure, shock, and strain. They rely upon a constant current excitation to the sensor from a signal conditioner.

Rotating shaft speed can now be measured using these same signal conditioning/data acquisition channels. While conventional tachometers require a special power supply, the ICP LaserTach is powered from the ICP sensor signal conditioner, and outputs a voltage pulse train at the frequency of the shaft speed.

Simply connect the LaserTach BNC connector to an ICP sensor signal conditioner and point the laser at a retroreflective target on the rotating shaft. The LED on the LaserTach gives a visual indication of the passing target while the voltage pulse train is output on the BNC connector. The focal length of the laser emitter can be adjusted using a small screwdriver on the front face (not shown).

SPECIFICATIONS:*

PERFORMANCE

Speed Range:	Revs Per Minute (RPM)	30,000
	Revs Per Second (RPS)	500
	Revs Per Hour (RPH)	1,800,000

Output Amplitude	1 Vpp @ 4mA supply current
	0.25 Vpp @ 20mA supply current
Operating Range: 90° Incidence	6 feet (1,8 meters)
45° Incidence	2 feet (0,6 meters)

ENVIRONMENTAL

Operating Temperature Range	32° - 176° F (0° - 80° C)
Storage Temperature Range	32° - 176° F (0° - 80° C)

ELECTRICAL

Excitation Voltage	18 to 30 VDC
Constant Current Excitation (mA)	3 to 20 mA
Output Impedance (Ohms)	< 100

MECHANICAL

Size (Length x Diameter)	3.5 inches x 0.625 inches (88,9 mm x 15,9 mm)
Mounting Thread	5/8-18 UNF 2A
Weight: With Mounting Nuts	2.5 (70,9)
Without Mounting Nuts	1 (28,3)
Connector Type	BNC Jack

ICP® is a registered trademark of PCB Piezotronics

DS-0006 rev B

* In the interest of constant product improvement, specifications are subject to change without notice. The specifications on this sheet are typical, operating range may vary slightly depending on the optical contrast available in operating environment